

- 1
- 2
- 3
- 4
- 5
- 6
- 7
- 8
- 9
- 10
- 11
- 12
- 13
- 14
- 15
- 16
- 17
- 18

BASE

Zinc-plated steel.

STEM

The resistance of the levelling element to a static load is obviously limited by the load capacity of the stem (steel class 5.8).

ELASTIC RING

Steel for springs.

STANDARD EXECUTIONS

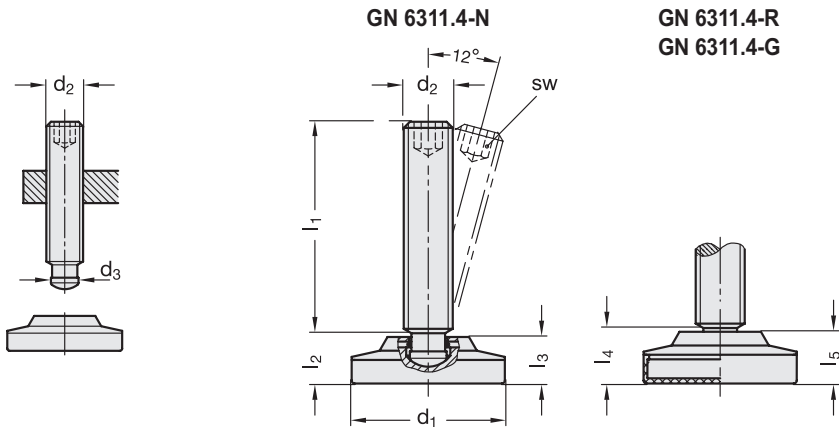
- **GN 6311.4-N:** base without coating.
- **GN 6311.4-R:** base with thermoplastic elastomer (TPE) no-slip coating.
- **GN 6311.4-G:** base with acetal based (POM) technopolymer coating, white colour.

FEATURES

The resistance of the levelling foot to a static load is only limited by the load capacity of the stem (steel class 5.8).

The static load values in the table below refer to the resistance to a load applied on the axis of the levelling element.

Under common working conditions, side or angular loading increases the stress on the levelling element and reduces its load capacity.



Conversion Table	
1 mm = 0.039 inch	
d1	
mm	inch
50	1.97
60	2.36

GN 6311.4-N


Code	Description	d1	d2	d3	l1	l2	l3	sw	Static load [KN]	⚖️
GN.12090	GN 6311.4-50-M10-37-N	50	M 10	8	37	12.5	11.5	5	13	152
GN.12093	GN 6311.4-50-M10-47-N	50	M 10	8	47	12.5	11.5	5	13	157
GN.12096	GN 6311.4-50-M10-57-N	50	M 10	8	57	12.5	11.5	5	13	161
GN.12099	GN 6311.4-50-M10-72-N	50	M 10	8	72	12.5	11.5	5	13	170
GN.11997	GN 6311.4-50-M12-41-N	50	M 12	8	41	12.5	11.5	6	13	162
GN.12000	GN 6311.4-50-M12-51-N	50	M 12	8	51	12.5	11.5	6	13	169
GN.12003	GN 6311.4-50-M12-61-N	50	M 12	8	61	12.5	11.5	6	13	176
GN.12006	GN 6311.4-50-M12-71-N	50	M 12	8	71	12.5	11.5	6	13	183
GN.12009	GN 6311.4-50-M12-91-N	50	M 12	8	91	12.5	11.5	6	13	198
GN.12015	GN 6311.4-50-M16-59-N	50	M 16	12	59	14.5	13.5	8	30	219
GN.12018	GN 6311.4-50-M16-69-N	50	M 16	12	69	14.5	13.5	8	30	230
GN.12021	GN 6311.4-50-M16-89-N	50	M 16	12	89	14.5	13.5	8	30	258
GN.12012	GN 6311.4-50-M16-114-N	50	M 16	12	114	14.5	13.5	8	30	285
GN.12027	GN 6311.4-60-M16-59-N	60	M 16	12	59	14.5	13.5	8	30	306
GN.12030	GN 6311.4-60-M16-69-N	60	M 16	12	69	14.5	13.5	8	30	317
GN.12033	GN 6311.4-60-M16-89-N	60	M 16	12	89	14.5	13.5	8	30	345
GN.12024	GN 6311.4-60-M16-114-N	60	M 16	12	114	14.5	13.5	8	30	372
GN.12042	GN 6311.4-60-M20-78-N	60	M 20	15.5	78	16.5	15.5	10	50	400
GN.12045	GN 6311.4-60-M20-88-N	60	M 20	15.5	88	16.5	15.5	10	50	420
GN.12036	GN 6311.4-60-M20-113-N	60	M 20	15.5	113	16.5	15.5	10	50	471
GN.12039	GN 6311.4-60-M20-138-N	60	M 20	15.5	138	16.5	15.5	10	50	520

Conversion Table
 1 mm = 0.039 inch

d1	
mm	inch
50	1.97
60	2.36


GN 6311.4-R

METRIC

Code	Description	d1	d2	d3	l1	l2	l3	s	sw	Static load [kN]	
GN.12088	GN 6311.4-50-M10-37-R	50	M 10	8	37	12.5	11.5	2	5	14	133
GN.12091	GN 6311.4-50-M10-47-R	50	M 10	8	47	12.5	11.5	2	5	14	134
GN.12094	GN 6311.4-50-M10-57-R	50	M 10	8	57	12.5	11.5	2	5	14	142
GN.12097	GN 6311.4-50-M10-72-R	50	M 10	8	72	12.5	11.5	2	5	14	152
GN.11995	GN 6311.4-50-M12-41-R	50	M 12	8	41	12.5	11.5	2	6	14	144
GN.11998	GN 6311.4-50-M12-51-R	50	M 12	8	51	12.5	11.5	2	6	14	151
GN.12001	GN 6311.4-50-M12-61-R	50	M 12	8	61	12.5	11.5	2	6	14	158
GN.12004	GN 6311.4-50-M12-71-R	50	M 12	8	71	12.5	11.5	2	6	14	165
GN.12007	GN 6311.4-50-M12-91-R	50	M 12	8	91	12.5	11.5	2	6	14	179
GN.12013	GN 6311.4-50-M16-59-R	50	M 16	12	59	14.5	13.5	2	8	33	202
GN.12016	GN 6311.4-50-M16-69-R	50	M 16	12	69	14.5	13.5	2	8	33	212
GN.12019	GN 6311.4-50-M16-89-R	50	M 16	12	89	14.5	13.5	2	8	33	241
GN.12010	GN 6311.4-50-M16-114-R	50	M 16	12	114	14.5	13.5	2	8	33	267
GN.12025	GN 6311.4-60-M16-59-R	60	M 16	12	59	14.5	13.5	2	8	33	276
GN.12028	GN 6311.4-60-M16-69-R	60	M 16	12	69	14.5	13.5	2	8	33	287
GN.12031	GN 6311.4-60-M16-89-R	60	M 16	12	89	14.5	13.5	2	8	33	315
GN.12022	GN 6311.4-60-M16-114-R	60	M 16	12	114	14.5	13.5	2	8	33	342
GN.12040	GN 6311.4-60-M20-78-R	60	M 20	15.5	78	16.5	15.5	2	10	55	370
GN.12043	GN 6311.4-60-M20-88-R	60	M 20	15.5	88	16.5	15.5	2	10	55	389
GN.12034	GN 6311.4-60-M20-113-R	60	M 20	15.5	113	16.5	15.5	2	10	55	441
GN.12037	GN 6311.4-60-M20-138-R	60	M 20	15.5	138	16.5	15.5	2	10	55	490

GN 6311.4-G

METRIC

Code	Description	d1	d2	d3	l1	l2	l3	l4	l5	s	sw	Static load [kN]	
GN.12089	GN 6311.4-50-M10-37-G	50	M 10	8	37	12.5	11.5	14	13	2	5	13	145
GN.12092	GN 6311.4-50-M10-47-G	50	M 10	8	47	12.5	11.5	14	13	2	5	13	150
GN.12095	GN 6311.4-50-M10-57-G	50	M 10	8	57	12.5	11.5	14	13	2	5	13	154
GN.12098	GN 6311.4-50-M10-72-G	50	M 10	8	72	12.5	11.5	14	13	2	5	13	163
GN.11996	GN 6311.4-50-M12-41-G	50	M 12	8	41	12.5	11.5	14	13	2	6	13	156
GN.11999	GN 6311.4-50-M12-51-G	50	M 12	8	51	12.5	11.5	14	13	2	6	13	162
GN.12002	GN 6311.4-50-M12-61-G	50	M 12	8	61	12.5	11.5	14	13	2	6	13	169
GN.12005	GN 6311.4-50-M12-71-G	50	M 12	8	71	12.5	11.5	14	13	2	6	13	176
GN.12008	GN 6311.4-50-M12-91-G	50	M 12	8	91	12.5	11.5	14	13	2	6	13	191
GN.12014	GN 6311.4-50-M16-59-G	50	M 16	12	59	14.5	13.5	16	15	2	8	30	213
GN.12017	GN 6311.4-50-M16-69-G	50	M 16	12	69	14.5	13.5	16	15	2	8	30	223
GN.12020	GN 6311.4-50-M16-89-G	50	M 16	12	89	14.5	13.5	16	15	2	8	30	252
GN.12011	GN 6311.4-50-M16-114-G	50	M 16	12	114	14.5	13.5	16	15	2	8	30	278
GN.12026	GN 6311.4-60-M16-59-G	60	M 16	12	59	14.5	13.5	16	15	2	8	30	296
GN.12029	GN 6311.4-60-M16-69-G	60	M 16	12	69	14.5	13.5	16	15	2	8	30	307
GN.12032	GN 6311.4-60-M16-89-G	60	M 16	12	89	14.5	13.5	16	15	2	8	30	336
GN.12023	GN 6311.4-60-M16-114-G	60	M 16	12	114	14.5	13.5	16	15	2	8	30	362
GN.12041	GN 6311.4-60-M20-78-G	60	M 20	15.5	78	16.5	15.5	18	17	2	10	50	390
GN.12044	GN 6311.4-60-M20-88-G	60	M 20	15.5	88	16.5	15.5	18	17	2	10	50	410
GN.12035	GN 6311.4-60-M20-113-G	60	M 20	15.5	113	16.5	15.5	18	17	2	10	50	461
GN.12038	GN 6311.4-60-M20-138-G	60	M 20	15.5	138	16.5	15.5	18	17	2	10	50	510